

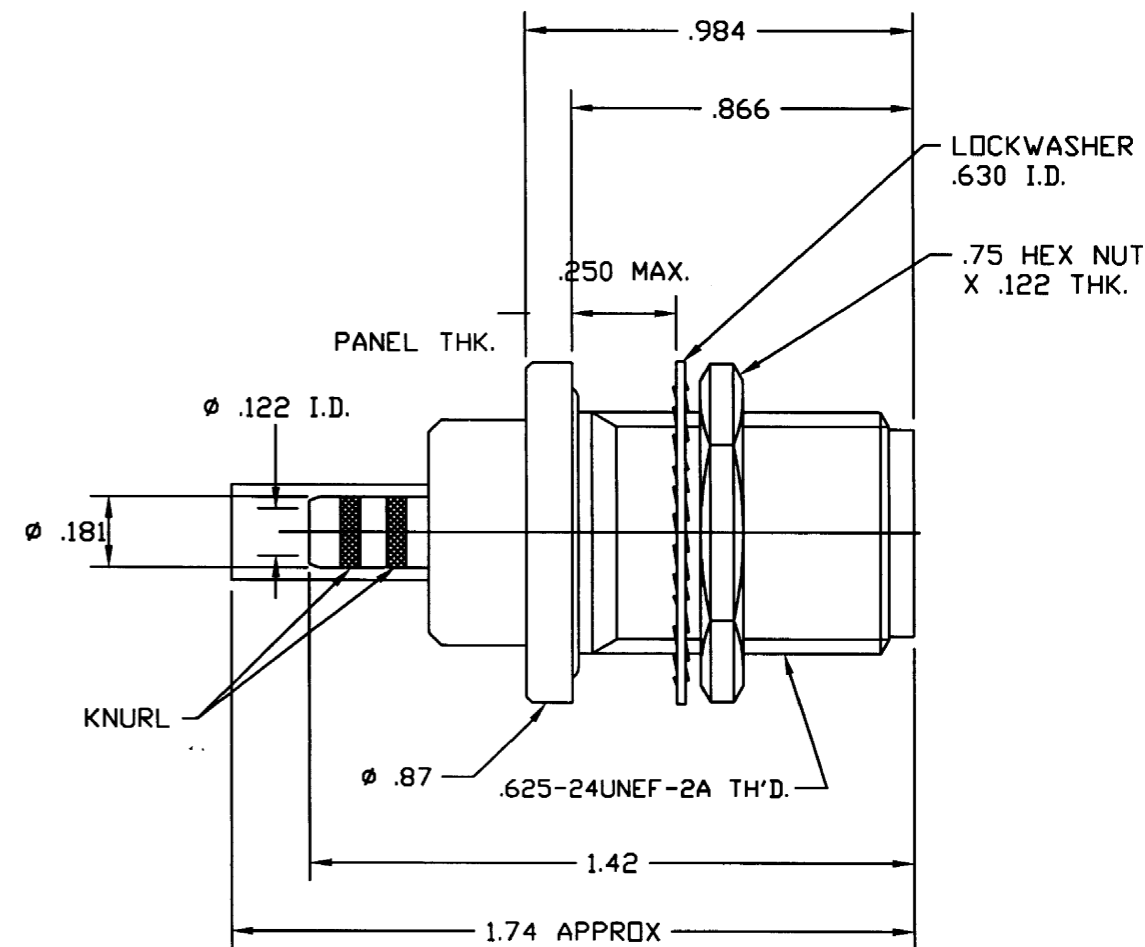
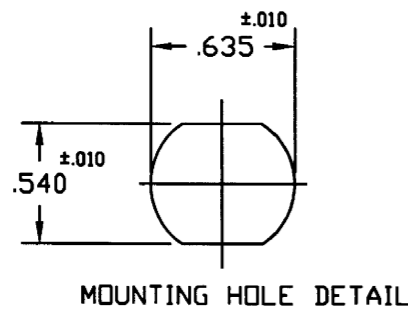
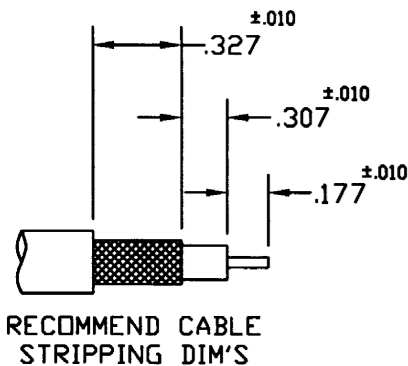
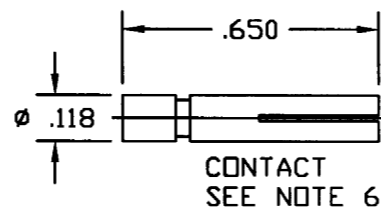
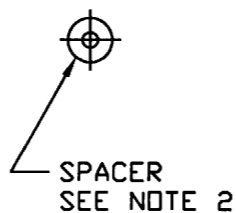
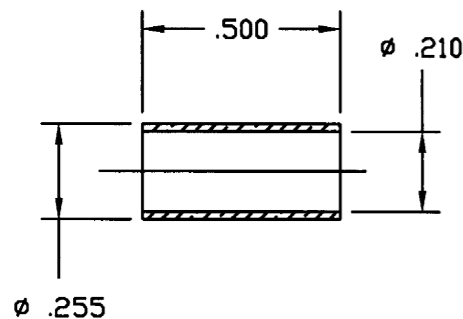
NOTES:

- BODY, LOCKWASHER & HEX NUT - BRASS, NICKEL PLATED (.000100 MIN).
INSULATOR - TEFLON.
CONTACT - PHOSPHOR BRONZE, GOLD PLATED (.000003 MIN).
FERRULE - COPPER ALLOY, NICKEL PLATED (.000100 MIN).
GASKET - SILICONE RUBBER.
- SPACER P/N 82-10828 IS SUPPLIED SEPARATELY.
THIS ITEM IS USED DURING TERMINATION PROCESS TO BELDEN YR20621.
- CONNECTOR IS BULKPACKED 50 PCS PER BAG.
- USE AMPHENOL CRIMP TOOL CTL-3.
- AGCS PART NUMBER ME996100 21.
- CAPTIVATED CONTACT, .043 ENTRY.
- DO NOT SCALE THIS DRAWING.
- UNLESS OTHERWISE SPECIFIED, ALL DIMENSIONS ARE AFTER PLATING.

82-5378-RFX

REVISIONS

DRAWING NO.	REV	DESCRIPTION	DATE	ECO	APPR
THIRD ANGLE PROJ.	A	OFFICIAL ENG. RELEASE TO MFG.	4/30/96	41293	CPM/
	B	SEE SHEET 1	11/14/01	43895	CPM/
	C	SEE SHEET 1	12-13-01	43913	CPM/



CUSTOMER OUTLINE DRAWING
ALL OTHER SHEETS ARE FOR INTERNAL USE ONLY

UNLESS OTHERWISE SPECIFIED, DIMENSIONS ARE IN INCHES AND TOLERANCES ARE:
2 PLACE DECIMAL ±0.015 (0,381 mm)
3 PLACE DECIMAL ±0.005 (0,127 mm)
ANGLES ± 1'

MATERIAL

DRAWN
C. McGRATH

DATE
5/31/94

TITLE
CRIMP 'N' BULKHEAD JACK
FOR RG58/U, 58A/, 58B/U,
58C/U, 141/U, 141A/U &
BELDEN YR20621 CABLES

Amphenol
Amphenol Corporation
RF/Microwave Operations
Danbury, Conn. U.S.A. 06810

NOTICE - These drawings, specifications, or other data (1) are, and remain the property of Amphenol Corp. (2) must be returned upon request; and (3) are confidential and not to be disclosed to any person other than those to whom they are given by Amphenol Corp. The furnishing of these drawings, specifications, or other data by Amphenol Corp., or to any other person to anyone for any purpose is not to be regarded by implication or otherwise in any manner licensing, granting rights or permitting such holder or any other person to manufacture, use or sell any product, process or design, patented or otherwise, that may in any way be related to or disclosed by said drawings, specifications, or other data.

REFERENCE
EAR 964467-0

ENGINEER
D. ROYCE

DATE
4/29/96

APPROVED
D. ROYCE

DATE
4/29/96

SCALE: 2:1 SHEET 2 OF 2

CAD FILE
H:\DEPT611\N\082\ASSY\5378\RFXSHT2

CODE ID
74868

DWG SIZE
B

DRAWING NO.
82-5378-RFX

REV
C

Mouser Electronics

Authorized Distributor

Click to View Pricing, Inventory, Delivery & Lifecycle Information:

[Amphenol:](#)

[82-5378-RFX](#)