

5

4

3

2

1

DRAWING NO. 25-7300-CUST			
REVISIONS			
01	OFFICIAL RELEASE		
	08-21-09	Y U	Y U

Description: PL259 Male Solder UHF 20Lbs,
RG8,RG213

Part No: 25-7300

Application: For RG-8,11,213,214 Cable

Crimp Tool: N/A

Impedance: N/A

Frequency Range: 0-500 MHz

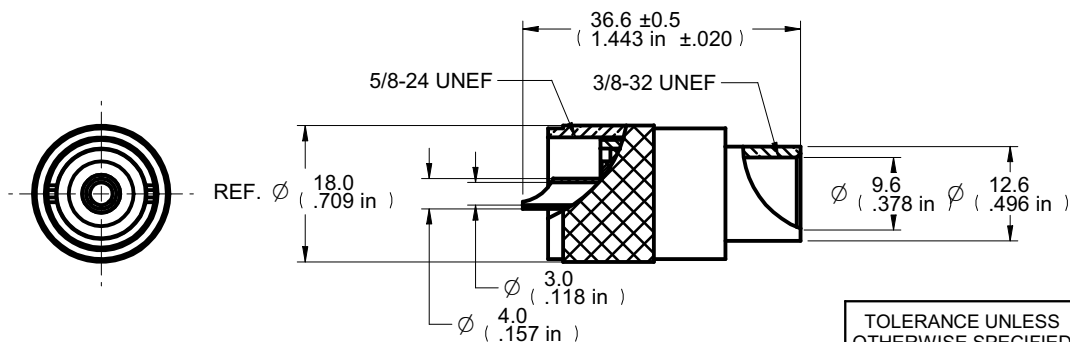
Material: Body Brass Nickel plated
Contact Brass Nickel plated
Nut Brass Nickel plated
Insulator Delrin

RoHS Compliance: Yes

Technical Detail: Refer to Emerson Document P/N 29-0000



受控 CONTROLLED DOCUMENT					
编号 P/N	25-7300-CUST	版本 Rev	01	日期 Rel'd Date	SEP 14,09



DIM OUTLINE

CUSTOMER COPY

TOLERANCE UNLESS OTHERWISE SPECIFIED		DRAWN BY	DATE
DECIMALS	mm	BETTY.YU	08-21-09
X	± 0.5	CHECKED BY	DATE
X.X	± 0.3	BETTY.YU	08-21-09
X.XX	± 0.1	APPROVED BY	DATE
ANGLES	± 0.5°	THOMAS	08-21-09
		U/M	mm



TITLE
PL259 MALE SOLDER UHF 20 LBS,RG8,RG213

THIS DRAWING WAS PRODUCED BY COMPUTER, DO NOT SCALE DRAWING OR UPDATE MANUALLY.		SHEET 1 OF 1	DRAWING NO. 25-7300-CUST	SIZE A
---	--	-----------------	------------------------------------	------------------

5

4

3

2

1