

5

4

3

2

1

DRAWING NO.

29-3855-CUST

REVISIONS

OFFICAL RELEASE

01

2009.09.0

08-17-09 J J T W T Betty 08:57:42 +08'00'

D

D



Description: CPAD508 SMA(M)-BNC(F) adapter
 Part No: 29-3855
 Application: Adapter
 Crimp Tool: N/A
 Impedance: 50 Ohms
 Frequency Range: 0-4 GHz
 Material: Body Brass Nickel plated
 Insulator Delrin
 Contact Beryllium Gold plated
 RoHS Compliance: Yes
 Technical Detail: Refer to Emerson Document P/N 27-0000

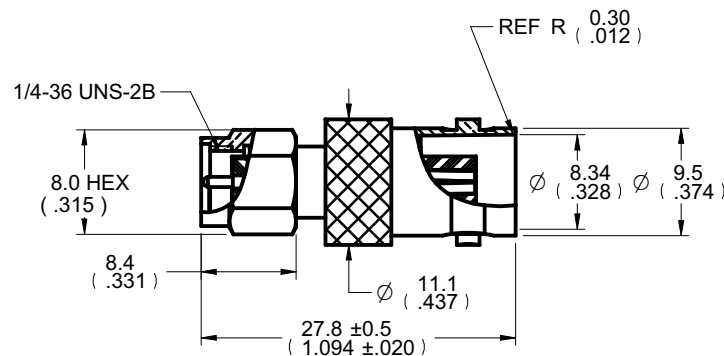
C

C

受控 CONTROLLED DOCUMENT					
编号 P/N	29-3855-CUST	版本 Rev	01	日期 Rel'd Date	SEP 14,09

B

B



DIM OUTLINE

CUSTOMER COPY

A

A

TOLERANCE UNLESS OTHERWISE SPECIFIED		DRAWN BY	DATE
		JEAN.JIN	08-17-09
DECIMALS	mm	CHECKED BY	DATE
X	± 0.5	TERRY.W	08-17-09
X.X	± 0.2	APPROVED BY	DATE
X.XX	± 0.1	THOMAS	08-17-09
ANGLES	± 0.5°	U/M	mm

EMERSON
Network Power

Connectivity Solutions

TITLE
CPAD508 SMA(M)-BNC(F) ADAPTER

THIS DRAWING WAS PRODUCED BY COMPUTER, DO NOT SCALE DRAWING OR UPDATE MANUALLY.

SHEET	DRAWING NO.	SIZE
1 OF 1	29-3855-CUST	A

5

4

3

2

1